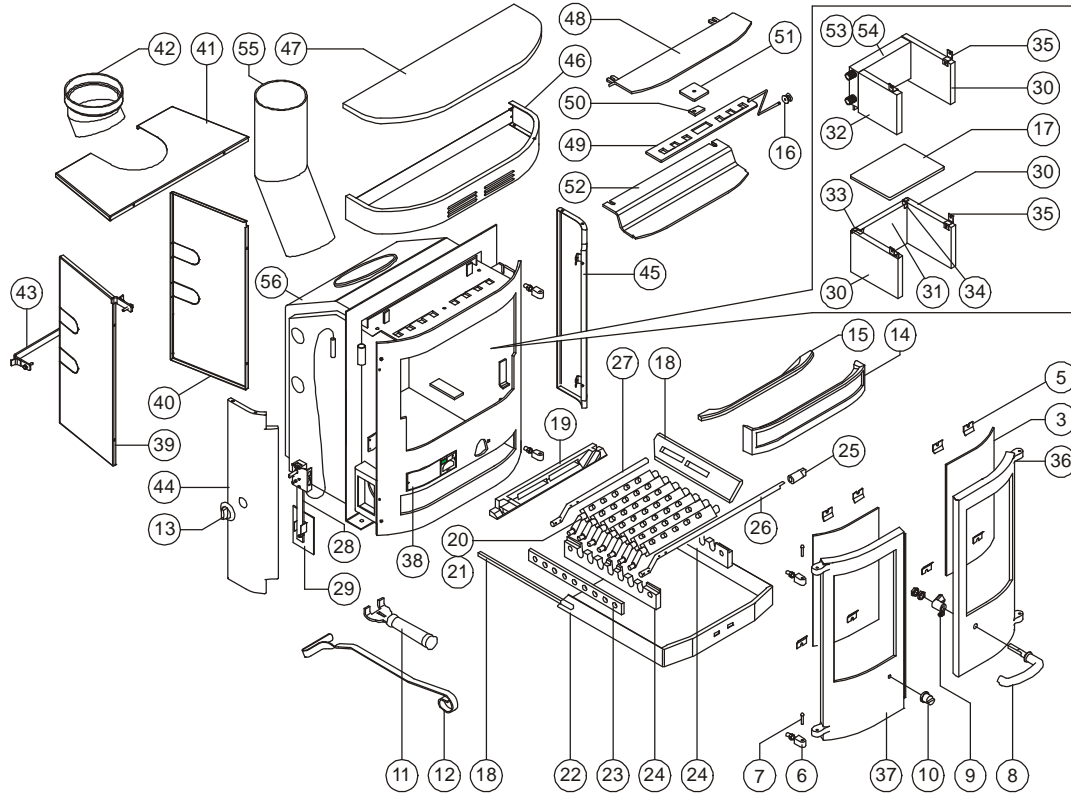


Parts List



Item	Part No.	Description	Item	Part No.	Description
1*	008/KV35S	Door Seal Set Inc. Adhesive	36	003/TV02/##	R.H. Door
2*	008/FW29	Door Seal Adhesive	37	003/TV01/##	L.H. Door
3	006/KV18	Glass Inc. Glass Channel	38	012/XV12	Serial No. Label
4*	008/RW44/S	Glass Channel - set of 8	39**	005/XV25/##	L.H. Freestanding Side Panel
5	004/KV23	Glass Retainer	40**	005/XV26/##	R.H. Freestanding Side Panel
6	008/TV27	Hinge Post	41**	005/XV27/##	Top Freestanding Side Panel
7	008/BW39/S	Hinge Pin Set (4 per set)	42**	002/AV13	150° Flue Elbow (Freestanding Kit)
8	008/KV16	R.H. Door Handle	43**	010/XV29	Freestanding Panel Fixing Bracket
9	002/KV14	Door Catch Cam	44	005/KV04/##	L.H. Side Panel
10	008/KV13	L.H. Door Knob	45	005/KV05/##	R.H. Side Panel
11	010/RW21	Ashpan Tool	46	005/KV06/##	Lower Hood Panel
12	012/FW34	Scraper Tool	47	005/KV09/##	Top Hood Panel
13	008/BW50	Thermostat Knob	48	010/XV08	Airwash Manifold
14	002/KV07	Front Firebar	49	012/XV09	Airwash Slide
15	002/KV11	Front Firebar Back Plate	50	012/HV09/3	Airwash Slide Guide
16	002/TW13	Air Control Knob	51	012/HV09/2	Airwash Slide Retainer
17	002/AV31	Throat Plate	52	010/XV05	Airwash Outlet
18	002/HW15	Side Fire Plate	53	010/AV25	Add-In Boiler (steel)
19	002/HW16	Back Fire Plate	54	010/AV25/SS	Add-In Boiler (stainless steel)
20	002/CG01	Bottom Grate Bar	55	010/AV12	150° Flue Pipe (Optional Extra)
21	002/CG01S7	Set Of Grate Bars (7per set)	56	001/XV10	Firebox (SLX20)
22	004/XV17	Ashpan			
23	012/HW33	Mover Bar			
24	002/HW30	Carrier Bar			
25	002/CG06	Riddler knob			
26	012/KV19	Riddler Rod			
27	012/CG05	Idler Rod			
28	008/BW49	Thermostat C/W Flap			
29	008/BW57	Thermostat Flap 90mm dia			
30	011/AV28	Side Firebrick			
31	011/AV29	Rear Firebrick			
32	011/AV27	Short Side Firebrick (Use with boiler) ...			
33	004/XV31L	L.H. Rear Brick Retaining Bracket			
34	004/XV31R	R.H. Rear Brick Retaining Bracket			
35	004/XV30	Brick Retainer			

* These items are not shown on the drawing.
 ** Please specify colour when ordering.



To obtain spare parts please contact your local stockist giving Model, Part No. and Description. In case of difficulty contact the manufacturer at the address shown. This drawing is for identification purposes only.