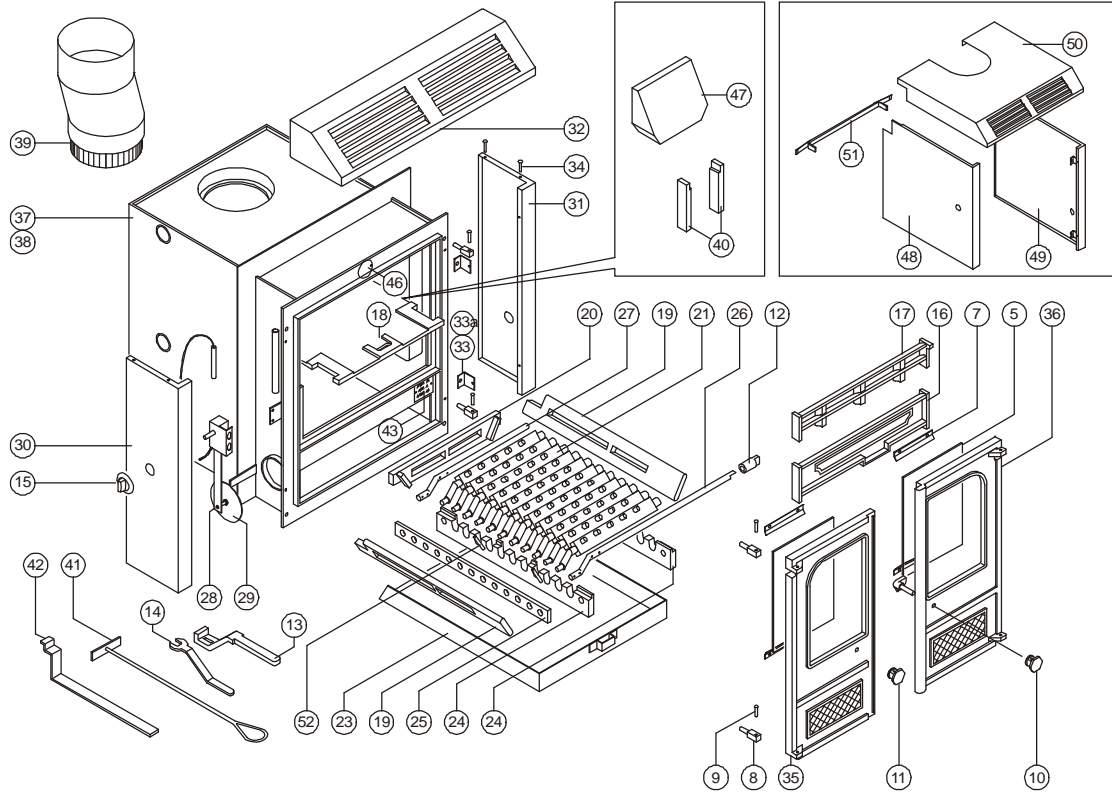


Parts List



Item	Part No.	Description	Item	Part No.	Description
1*	008/RW35L	L.H. Door Seal	35	003/RW01	Door L.H.
2*	008/RW35R	R.H. Door Seal	35a	003/RW01/BL/A	Door Assembly L.H.
3*	008/RW35/S	Door Seal Set Incl. Adhesive	36	003/RW02	Door R.H.
4*	008/FW29	Door Seal Adhesive	36a	003/RW02/BL/A	Door Assembly R.H.
5	006/RW18	Glass Inc Glass Channel	37	009/LA50iB/A	Firebox Assembly (LA50iB)
6*	008/RW44/S	Glass Channel - set of 8	38	009/LA45iB/A	Firebox Assembly (LA45iB)
7	004/EW23	Glazing Bar	39	012/FW12	Flue Offset (Optional Extra)
8	008/FW27	Hinge Post	40	011/JW09	Fire Brick (45iB)
9	008/BW39/S	Hinge Pin Set (4 per set)	41	012/FW34	Scraper Tool
10	008/RW43/A	Door Catch Assembly R.H.	42	008/FW33	Throatplate Tool
11	002/BW12	Door Knob L.H.	43		Serial No. Label
12	002/CG06	Riddler Knob	44*	010/FW51	Ash Carrier (Optional Extra)
13	002/BW20	Riddler/Ashpan Tool	45*	008/TH02/L	Low Level Pipe Stat (Opt'l Extra)
14	002/BW26	Door Opening Tool	46	008/RW09	Secondary Air Flap
15	008/BW50	Thermostat Knob	47	011/AV09	Boiler Reduction Brick (Optional Extra)
16	002/FW07	Front Firebar	48	005/RW23	Side Panel L.H. (Freestanding Kit)
17	002/FW08	Deepening Bar	49	005/RW24	Side Panel R.H. (Freestanding Kit)
18	002/FW32	Throat Plate	50	005/RW25	Top Panel (Freestanding Kit)
19	002/FW15	Side Fire Plate	51	010/RW26	Rear Panel Bracket (F'standing Kit)
20	002/FW16	Back Fire Plate	52	008/BW40	Carrier Bar Roll Pin (pair)
21	002/CG01	Bottom Grate Bar			
22	002/CG01S11	Set of Grate Bars (11 per set)			
23	004/FW17	Ashpan			
24	002/EW30	Carrier Bar			
25	012/EW33	Mover Bar			
26	012/FW14	Riddler Rod			
27	012/CG05	Idler Rod			
28	008/FW48	Thermostat			
29	008/BW57	Thermostat Flap 90mm dia			
30	005/RW05	Side Panel L.H.			
31	005/RW04	Side Panel R.H.			
32	005/RW06	Hood Panel			
33	004/RW13	Panel Fixing Bracket			
33a	012/RW30	Hood & Panel Fixing Kit			
34	008/WW14S	Hood Fixing Pin Set (4)			

* These items are not shown on the drawing.



To obtain spare parts please contact your local stockist giving Model, Part No. and Description. In case of difficulty contact the manufacturer at the address shown. This drawing is for identification purposes only.

CHARNWOOD Bishops Way, Newport, Isle of Wight PO30 5WS, United Kingdom

T: +44 (0)1983 537777 F: +44 (0)1983 537788 charnwood@ajwells.co.uk www.charnwood.com